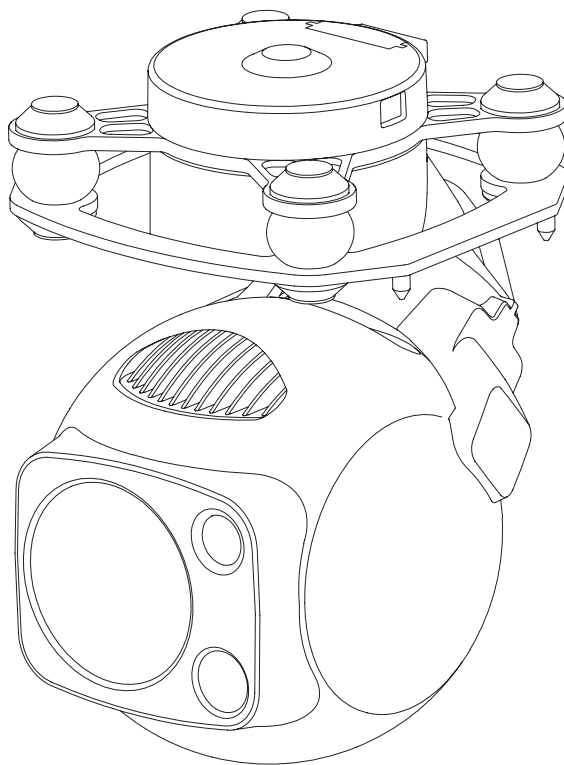


V1.2

2024.03

D-80_{AI}

User Manual



Using this Manual – Legend



Important



Tips



Explanation

Revision History

Date	Document Version
2023.06.19	V1.0
Date	Document Version
2023.10.16	V1.1

1. Installation: Add requirement of gimbal cooling.[P3]
2. Configuring & Updating Firmware:
 - 2.1 Modify default IP address of GCU (192.168.1.121 → 192.168.144.121) and default IP address of camera (192.168.1.108 → 192.168.144.108).[P4]
3. Configuring & Updating Firmware - Camera Configuring & Firmware Updating:
 - 3.1 Modify address of camera configuring webpage (<http://192.168.1.108/cgi-bin/config> → <http://192.168.144.108/cgi-bin/config>).[P4]
 - 3.2 Modify supported stream mode (RTSP & UDP → RTSP).[P5]
 - 3.3 Add explanation of camera firmware updating.[P6]
4. Add explanation of real-time video playing.[P6]
5. Appendix 1 Specifications:
 - 5.1 Add parameters of laser lighting module (Laser power and Beam Diameter).[P8]
 - 5.2 Modify supported stream network protocol (Delete UDP).[P8]
 - 5.3 Modify supported maximum SD card capacity (128GB → 256GB).[P8]
6. Add Appendix 2: SEI Data Structure.[P9]

Date	Document Version
2024.03.12	V1.2

1. Appendix 1 Specifications: Modify parameters of object detection/ identification/ verification distance of zoom camera.[P7]
2. Modify Appendix 2: SEI Data Structure.[P10]

Caution

1. The D-80AI equipped with a laser lighting module, which is a Class 3B invisible laser. DO NOT exposure eyes to the beam within 12 meters or observe the beam by any optical instrument. DO NOT place any inflammable within 20 centimeters in front of the lighting module.
2. When not in use, store the D-80 in the package box. The recommended storage environment is a relative humidity less than 40% at a temperature of $20 \pm 5^\circ \text{C}$. If the lenses fog up. The water vapor will usually dissipate after turning on the device for a while.
3. Do not place the product under direct sunlight, in areas with poor ventilation, or near a heat source such as a heater.
4. Do not frequently power on/off the product. After it is turned off, wait at least 30 seconds before turning back on, otherwise the product life will be affected.
5. Make sure the gimbal port and gimbal surface are free from any liquid before installation.
6. Make sure the gimbal is securely installed onto the aircraft, the microSD card slot cover is clean and firmly in place.
7. Make sure the gimbal surface is dry before opening the microSD card slot cover.
8. Do not plug or unplug the microSD card during use.
9. Do not touch the surface of the camera lenses and keep it away from hard objects. As doing so may lead to blurred images and affect the imaging quality.
10. Clean the surface of the camera lenses with a soft, dry, clean cloth. Do not use alkaline detergents.
11. When not receiving valid carrier INS data, the yaw shaft of the gimbal will drift about 15 degrees per hour because of the earth rotation. To make sure the gimbal attitude corrects, it is necessary to transmit valid carrier INS data, usually the GNSS should be positioning.

Catalog

Introduction	1
Synopsis	1
Characteristics	1
Overview	2
Installation	3
Configuring & Updating Firmware	4
Camera Configuring & Firmware Updating	4
Gimbal Updating Firmware	6
Real-time Video Playing	6
Appendix 1 Specifications	7
Appendix 2 SEI Data Structure	10

Introduction

Synopsis

The D-80_{AI} equips with a high-accuracy 3-axis nonorthogonal gimbal, a wide-angle camera and a 30x zoom camera. User can quickly switch to a highly magnified zoom camera view after recognizing a target in a wide camera view. Thanks to the laser lighting module, the D-80_{AI} can provide a clear image even in complete dark environments.

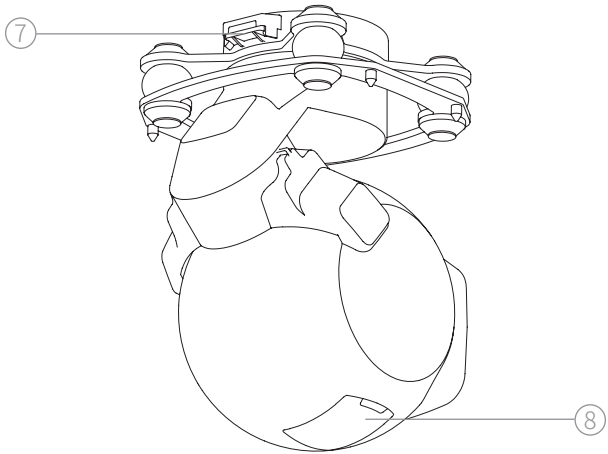
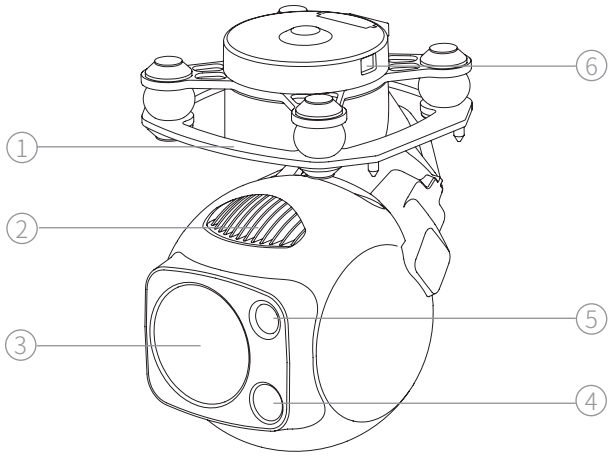
The D-80_{AI} have AI multi-object detection and tracking function. The gimble camera can intelligently identify the persons and vehicles in the image, and constantly track one of them.

The D-80_{AI} can be mounted tool-lessly onto multiple carriers, whether downward or upward. With the GCU and the Dragonfly software, user can watch the image from the camera and control the gimbal real-timely on a computer.

Characteristics

- Features AI multi-object detection and tracking, which can constantly track one of the persons and vehicles intelligently identified in the image.
- Combination of wide-angle camera and 30x zoom camera, which can quickly switch between overall and detailed view.
- Laser lighting module ensures the cameras getting a clear image even in complete darkness.
- Low-profile spherical shape and 3-axis nonorthogonal mechanical stabilized structure, minimize the gyration radius and the wind resistance of the gimbal. The D-80_{AI} is able to spin continually around its yaw axis.
- With the GCU, the D-80_{AI} supports network, UART and S.BUS control. The GCU supports both private protocol and MAVlink protocol.
- Thanks to the Dual-IMU complementary algorithms with IMU temperature control and carrier AHRS fusion, the D-80_{AI} provides a stabilization accuracy at $\pm 0.01^\circ$.
- Can be mounted onto multiple carriers, whether downward or upward.
- With the GCU and the Dragonfly software, user can watch the image and control the gimbal without protocol ducking.
- Screen supports overlaying OSD information such as latitude, longitude and altitude. Image supports shooting point coordinate EXIF save. Video stream supports SEI stacking.
- 14~53 VDC wide voltage input.

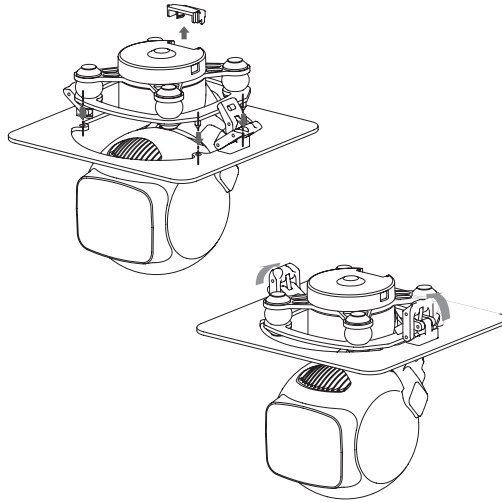
Overview



- | | |
|--------------------------|----------------------|
| 1. Damping Platform | 2. Heatsinkz |
| 3. Zoom Camera | 4. Wide Camera |
| 5. Laser Lighting Module | 6. Update Port |
| 7. Control Port | 8. MicroSD Card Slot |





Installation

1. Remove the control port protector.
2. Align and insert the 4 pins into the locating holes of the mount platform. Press down the lock catch to fix the gimbal. The gimbal can be also fixed with screws through the holes on the damping platform.
3. Plug the gimbal control cable into the control port and install the port protector back.



- ⚠ While upward mounted or mounted at carriers with large vibration or impact, the gimbal should be fixed with screws not the quick-release locks.
- ⚠ Gently plug or unplug the cable. Avoid hard pull the cable.
- ⚠ Avoid squash the cable while installing the port protector.
- ⚠ Ensure the microSD card slot cover is firmly in place to prevent dust or moisture entering during usage or storage.
- ⚠ The gimbal heats while operating. Please ensure the device good cooling.
- 🔍 The MicroSD card should be configured as HDD-FAT32 mode.

Configuring & Updating Firmware

-  Ensure the gimbal and the GCU have both been updated to the latest firmware before use. Otherwise, usage may be affected.
-  Ensure the driver of the config module is installed on the computer before configuring or updating the firmware.
-  Before configuring, the computer should be set to a static IP address, which is in the same network segment with the GCU and the camera (without IP address conflicts). The default IP address of the GCU and the camera are 192.168.144.121 and 192.168.144.108.
-  Do not power off the device while updating the firmware. Restart the device once firmware update is complete.

Camera Configuring & Firmware Updating

Camera Configuring

1. Connect the gimbal and the GCU with the gimbal control cable. Connect the computer and ETH port of the GCU with the network conversion module. Power on the devices.
2. Visit <http://192.168.144.108/cgi-bin/config> on the computer (if the IP address of the camera has been changed, the IP address in the URL should be replaced with the current camera IP address).
3. Configure the camera in the web page, and click "save" to enable the configuration.
4. Restart the gimbal to enable the configurations to take effect.

-  It is not able to read current configurations of the camera in this page.

IP Address:
 Gateway:
 Udp target:
 Udp port:
 Stream Bitrate:
 Output Resolution: Output FPS:
 Stream Mode:
 Encode Format:
 Save Format:
 Save Stream Bitrate:

 Update File: (Select Your Local Update File)

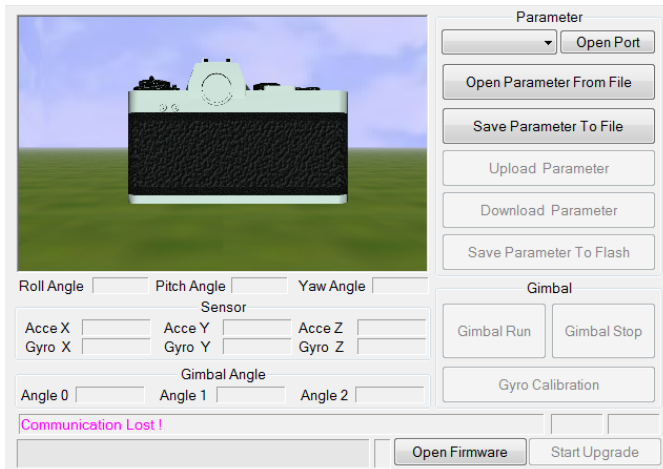
- IP Address / Gateway
Camera IP Address / Camera Gateway.
- Udp target / Udp port
Should be configured while the stream is in UDP mode.
- Stream Bitrate
Image transfer rate, which is in the unit of bps. The higher the stream bitrate, the clearer the transferred image, yet the higher request to the bandwidth of the image transmission system. The recommended range is [2048~8192].
- Output Resolution / Output FPS
Default as 1080P / 25FPS
- Stream Mode
Stream Media / UDP / GB/T28181. Default as Stream Media. The Stream Media is RTSP mode. UDP mode and GB/T28181 mode is unavailable temporarily.
- Encode Format
H.264 / H.265. Default as H.264.
- Save Format
Default as MP4.
- Save Stream Bitrate
Image storage rate, which is in the unit of bps. The higher the storage bitrate, the clearer the storage image, yet the higher request to the storage rate of the MicroSD card. The recommended range is [2048~9216].

Camera Firmware Updating

Select the firmware, click "update" and wait for updating completing. If the updating failed, please retry on another computer.

Gimbal Updating Firmware

1. Connect the gimbal and the GCU with the gimbal control cable. Connect the computer and the gimbal update port with the config module. Power on the devices.
2. Run GimbalConfig software. Choose the COM port corresponding to the config module. Click "Open Firmware" , choose the firmware file, click "Start Upgrade" and wait for the updating complete.



Real-time Video Playing

Example as camera IP address 192.168.144.108:

Stream address: <rtsp://192.168.144.108/554>

Appendix 1 Specifications

General		
Product Name	D-80AI	
Dimensions	Gimbal: 85.8 x 86 x 129.3mm GCU: 45.4 x 40 x 13.5mm	
Weight	Gimbal: 429g GCU: 18.6g	
Operating Voltage	14 ~ 53 VDC	
Power	Gimbal: 6.7W (AVG, light off) / 55 W (Stall, light on) GCU: 1.8W	
Mounting	Downward / Upward	
Gimbal		
Gimbal Type	3-axis Nonorthogonal Mechanical Stabilization	
Angular Accuracy	$\pm 0.01^\circ$	
Controllable Range	Pitch: $-157^\circ \sim +80^\circ$, Yaw: $\pm 360^\circ$ constantly	
Max Controllable Speed	Pitch: $\pm 200^\circ /s$, Yaw: $\pm 200^\circ /s$	
Zoom Camera		
Image Sensor	1/2.8" CMOS; Effective Pixels: 2.07M	
Lens	Focal Length: 4.7~47mm HFOV: $61.3^\circ \sim 6.8^\circ$ VFOV: $36.9^\circ \sim 3.9^\circ$ DFOV: $68.4^\circ \sim 7.8^\circ$	
Resolution	1920 x 1080	
Pixel Pitch	2.9 μ m	
Optical Zoom Rate	10x	
Equivalent Digital Zoom Rate	3x	
Min Illumination	Night Vision off: 0.01Lux / F1.6 Night Vision on: 0.0015Lux / F1.6	
Object Detection Distance	EN62676-4:2015	Person ^[1] : 709m Light vehicle ^[2] : 932m Large vehicle ^[3] : 1986m
	Johnson Criteria	Person: 8103m Light vehicle: 24851m Large vehicle: 52943m

Object Identification Distance	EN62676-4:2015	Person: 142m Light vehicle: 187m Large vehicle: 397m
	Johnson Criteria	Person: 2026m Light vehicle: 6213m Large vehicle: 13236m
Object Verification Distance	EN62676-4:2015	Person: 71m Light vehicle: 93m Large vehicle: 199m
	Johnson Criteria	Person: 1013m Light vehicle: 3106m Large vehicle: 6618m
Wide Camera		
Image Sensor	1/2.8" CMOS; Effective Pixels: 2.07M	
Lens	Focal Length: 2.4mm HFOV: 98.5° VFOV: 44.3° DFOV: 101.7°	
Resolution	1920 x 1080	
Pixel Pitch	2.9μm	
Laser Lighting Module		
Wavelength	850±10nm	
Laser Power	0.8W	
Beam Angle	8°	
Beam Diameter	14m @ 100m	
Effective Illumination Distance	≤ 200m	
Laser Safety	Class 3B (IEC 60825-1:2014)	
AI Multi-object Detection & Tracking		
Object Size	16x16 ~ 128x128 px	
Object Identification Delay	< 40ms	
Tracking Speed	±32 px / field	
Tracking Deviation Refresh Rate	30Hz	
Tracking Deviation Output Delay	≤ 5ms	

Image & Video	
Image Format	JPEG
Maximum Image Resolution	1920 x 1080
EXIF	Shooting point coordinate
Video Format	MP4
Maximum Video Resolution	1080P@25fps
Stream Encode Format	H.264, H.265
Stream Network Protocol	RTSP
Storage	
Supported SD Cards	Supports a Speed Class 10 MicroSD card with a capacity of up to 256GB
Supported File System	HDD-FAT32
Environment	
Operating Temperature	-20°C ~ 50°C
Storage Temperature	-40°C ~ 60°C
Operating Humidity	≤ 85%RH (Non-condensing)

- [1] Reference dimension of person: 1.8x0.5m. Critical dimension under Johnson criteria is 0.75m.
- [2] Reference dimension of light vehicle: 4.2x1.8m. Critical dimension under Johnson criteria is 2.3m.
- [3] Reference dimension of large vehicle: 6.0x4.0m. Critical dimension under Johnson criteria is 4.9m.

Appendix 2 SEI Data Structure

```

typedef struct // 64 bytes. Little-endian byte order. Byte alignment
{
    uint8_t head[2]; // Header [0xEE, 0x16]
    struct
    {
        uint8_t rng_trig:1; // Ranging trigger flag
        uint8_t pip_state:3; // Pic-in-Pic Statue
                                0-Zoom camera (main)+Thermal camera (sub);
                                1-Thermal camera;
                                2-Thermal camera (main)+ Zoom camera (sub);
                                3-Zoom camera
        uint8_t data_valid:1; //Validity flag of carrier's coordinate, carrier's attitude
                                and gimbal's attitude
        uint8_t tgt_valid:1; //Validity flag of target's coordinate
        uint8_t reserved:2; // Reserved flag
    } flag;
    int32_t uav_lon; // Longitude of carrier. [-180°, 180°). Resolution 1e-7deg
    int32_t uav_lat; // Latitude of carrier. [-90°, 90°]. Resolution 1e-7deg
    int32_t uav_alt; // Altitude of carrier. Resolution 1mm
    int32_t uav_hgt; // Relative height of carrier. Resolution 1mm
    int16_t uav_phi; // Roll angle of carrier. [-180°, 180°). Resolution 0.01deg
    int16_t uav_the; // Pitch angle of carrier. [-90°, 90°]. Resolution 0.01deg
    uint16_t uav_psi; // Yaw angle of carrier. [0°, 360°). Resolution 0.01deg
    int16_t cam_phi; // Roll angle of gimbal. [-90°, 90°]. Resolution 0.01deg
    int16_t cam_the; // Pitch angle of gimbal. [-180°, 180°). Resolution 0.01deg
    uint16_t cam_psi; // Yaw angle of gimbal. [0°, 360°). Resolution 0.01deg
    uint16_t cam1_zoom; // Zoom rate of zoom camera. Resolution 0.01x
    uint16_t cam2_zoom; // Zoom rate of thermal camera. Resolution 0.01x
    uint16_t rng_dist; // Distance from target. Resolution 0.1m (Invalid, 0)
    uint16_t gnss_week; //GNSS week
    uint32_t gnss_itow; //GNSS microsecond. Resolution 1ms
    int32_t tgt_lon; // Longitude of target. [-180°, 180°). Resolution 1e-7deg (Invalid, 0)
    int32_t tgt_lat; // Latitude of target. [-90°, 90°]. Resolution 1e-7deg (Invalid, 0)
    int32_t tgt_alt; // Altitude of target. Resolution 1mm (Invalid, 0)
    uint16_t cam1_f1x; // Focal length of zoom camera at 1x. Resolution 0.01mm
    uint16_t cam2_f1x; // Focal length of thermal camera at 1x. Resolution 0.01mm
    uint8_t reserved[4]; // Reserved
    uint8_t check_sum; // Checksum
} SdSei_t;

```